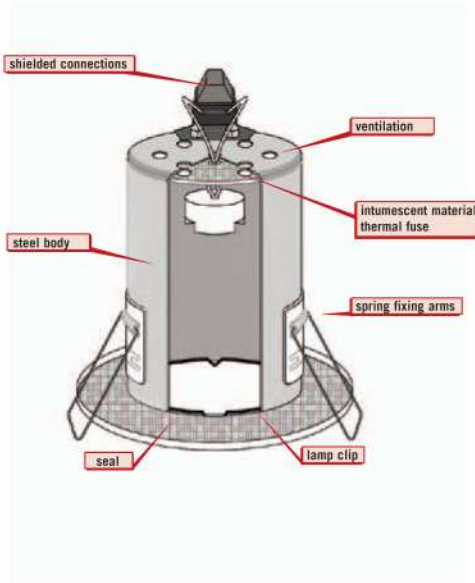


STANDARD (LOW VOLTAGE)

LAMP USAGE

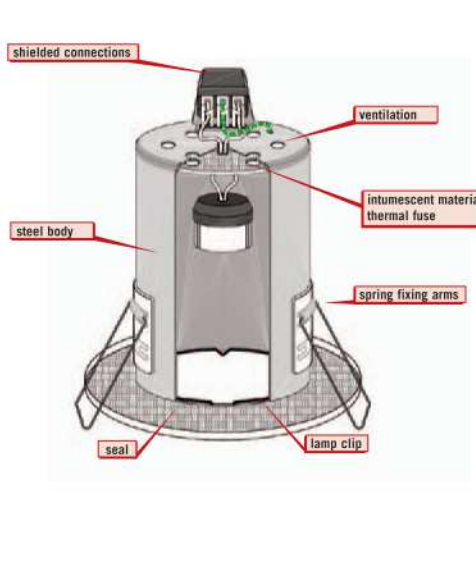
- 12v GX5.3/MR16 20w Reflector Lamp
- 12v GX5.3/MR16 35w Reflector Lamp
- 12v GX5.3/MR16 50w Reflector Lamp



STANDARD (MAINS VOLTAGE)

LAMP USAGE

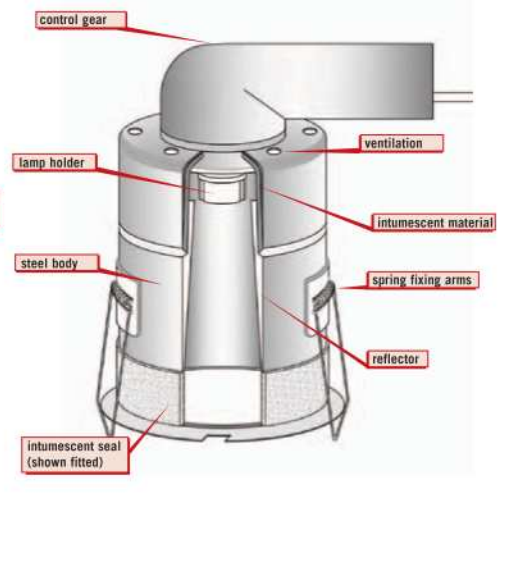
- 230v 7/9/11w GU10 Compact Fluorescent Lamp
- 230v GU10 Par16 50w Reflector Lamp
- 230v GU10 Par16 35w Reflector Lamp



PACIFIC (COMPACT FLUORESCENT)

LAMP USAGE

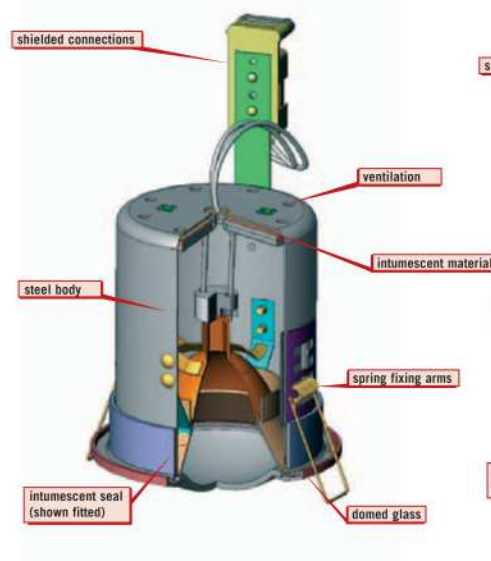
- 18w PL-T Lamp



ATLANTIC (LOW VOLTAGE)

LAMP USAGE

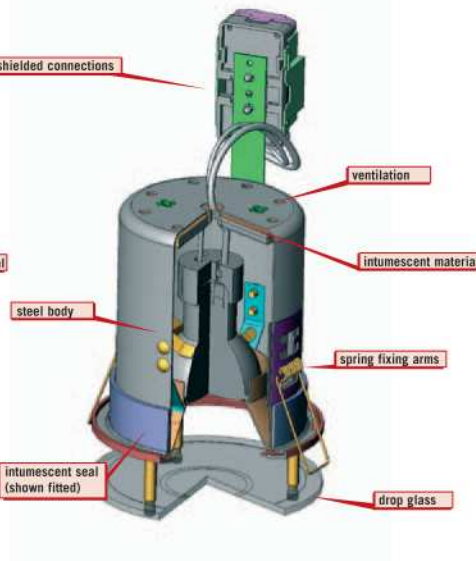
- 12v GX5.3/MR16 20w dichroic/reflector lamp
- 12v GX5.3/MR16 35w dichroic/reflector lamp
- 12v GX5.3/MR16 50w dichroic/reflector lamp



ATLANTIC (MAINS VOLTAGE)

LAMP USAGE

- 230v 7/9/11w GU10 compact fluorescent lamp
- 230v GU10 Par16 50w reflector lamp
- 230v GU10 Par16 35w reflector lamp



ATLANTIC (BRITESPOT)

LAMP USAGE

- 35w Sylvania Britespot

