

UVC50TD Series

50W Constant Voltage Triac Dimming LED Drivers



Case: 8046GX
166 x 52 x 24 mm

Features

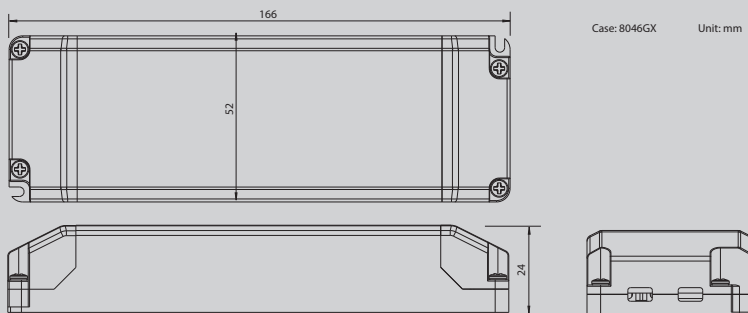
- Constant voltage output
- Fully isolated
- Short circuit, over current and over voltage protection up to 80% efficient
- Fire resistant plastic cover
- Compatible with leading and trailing edge dimmers
- 20 ~ 100% Dimming Load
- 10 ~ 100% Dimming range
- Mains dimmable
- Screw terminals
- IP44 design for indoor use
- 2 years warranty



Specification

INPUT	Voltage	220V ~ 240VAC	
	Frequency	50-60 Hz	
	Current	0.4A	
	Inrush Current	<2.5A	
	Power Factor	0.95	
OUTPUT	MODEL No.	UVC1250TD	UVC2450TD
	Load Voltage	12V	24V
	No Load Voltage	12V	24V
	Current	4.16A	2.08A
	Power	50W	50W
	Power Factor	>0.95	
	Efficiency (TYP.)	>80%	
PROTECTION	Over Load	Auto-recovery	
	Short Circuit	Auto-recovery	
	Over Voltage	Auto-recovery	
ENVIRONMENT	Operating Temperature	-20 ~ +50°C	
	Storage Temperature	-40 ~ +70°C	
	Relative Humidity	5 ~ 95%	
SAFETY & EMC	Safety Standard	Design refers to EN60598, EN61547, ENV55024, EN61000-4-2, 3, 4, 6, 8,11, EN61000-3-2, EN61000-3-3	
	EMI Standard	Meets Emissions to EN55022, EN55015 Class B	
OTHERS	Lifetime	50K hrs at TC max (85°C)	
	Packing	200g	

Mechanical Diagram



LED Configuration

