

DATA SHEET

S152 | S154 Single Fix LED Spotlights



The Spectrum LED display spotlight from Display Lighting Ltd incorporates a high power LEDs that is carefully constructed into a high quality contemporary luminaire.

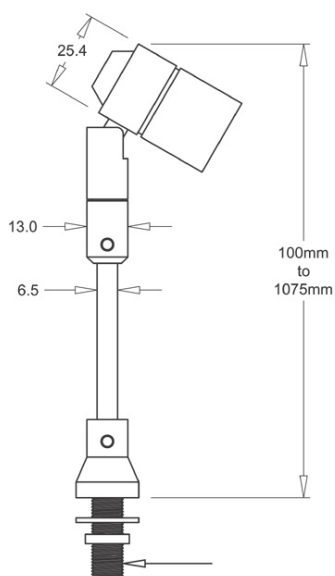
The design ensures that the spotlights are as unobtrusive as possible within your showcase so that your products are illuminated to their full potential without obstructions.

There are different PLUG & disPLAY power supply options available to make wiring and installation as quick and easy as possible. Each of the driver options can be supplied with an in series connector block to make installation as easy as possible.

- **Integrated LED.**
- **Specialised focused lighting for museum and retail showcases.**
- **Low heat illumination.**
- **No ultraviolet light so does not fade materials.**
- **Uniform shadow-free illumination.**
- **Unobtrusive.**
- **Bespoke product manufactured to specific overall height.**
- **Reduces heat emissions and heat build-up in store.**
- **Reduces energy bills by up to 80%.**

Specialist Counter & Showcase Lighting Systems

S154 Luminaire Technical Specification



Overall Height: < 1075mm

Head Diameter: Ø25.40mm

Wattage: 1.5W

Input Voltage: 350mA Constant Current

Beam Angle: 45°

Lumens @350mA: 120lm

Finishes: See Ordering below

CCT: See Ordering below

Tube Diameter: Ø6.55mm

Mount: Vertical / Horizontal

Material: Brass/Aluminium

Rotation: 350°

Fixing: See Fixings below

Adjustment: 90°

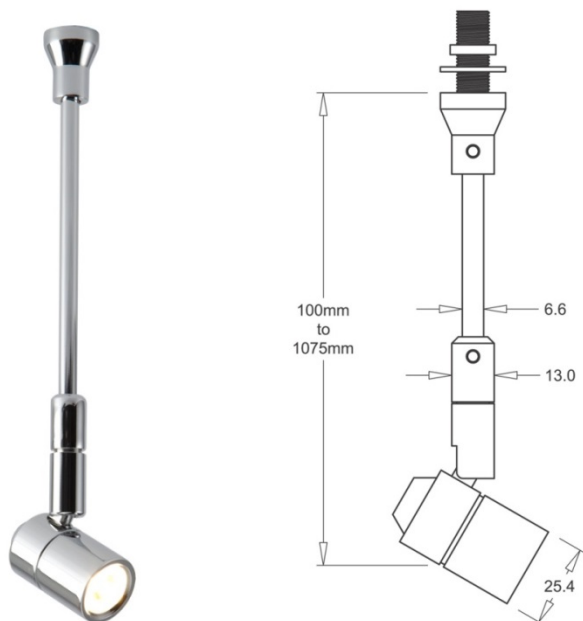
Life Expectancy: 30'000 Hours *

Vf: 3.2V

Lamp: Integral LED (Non Replaceable)

DATA SHEET

S152 Luminaire Technical Specification



Overall Height:	< 1075mm
Head Diameter:	Ø25.40mm
Wattage:	1.5W
Input Voltage:	350mA Constant Current
Beam Angle:	45°
Lumens @350mA:	120lm
Finishes:	See Ordering below
CCT:	See Ordering below
Tube Diameter:	Ø6.55mm
Mount:	Vertical / Horizontal
Material:	Brass/Aluminium
Rotation:	350°
Fixing:	See Fixings below
Adjustment:	90°
Life Expectancy:	30'000 Hours *
Vf:	3.2V
Lamp:	Integral LED (Non replaceable)

Standard Fixings

RF Rear Fix



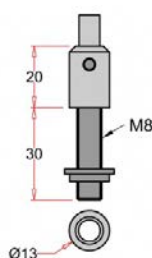
Diameter:	Ø20mm
Height:	25mm
Fixing:	M10 x 50mm Thread (other thread lengths available)
Cutout:	Ø11mm
Material:	Brass
Mounting:	Vertical / Horizontal

FF Face Fix



Diameter:	Ø30mm
Height:	25mm
Fixing:	Screw Fix (No4 screws not included)
Cutout:	Ø7mm
Material:	Brass
Mounting:	Vertical / Horizontal

RFS Small Rear Fix



Diameter:	Ø13mm
Height:	20mm
Fixing:	M8 x 30mm Thread
Cutout:	Ø9mm
Material:	Brass
Mounting:	Vertical / Horizontal

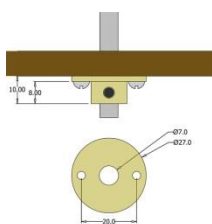
DATA SHEET

HF Hidden Fixing



Diameter:	Ø30mm
Height:	12mm
Fixing:	Screw Fix <i>(No4 screws not included)</i>
Cutout:	Ø7mm
Material:	Brass
Mounting:	Vertical

HFB Hidden Fixing Bezel



Diameter:	Ø27mm
Height:	10mm
Fixing:	Screw Fix <i>(No4 screws not included)</i>
Cutout:	Ø7mm
Material:	Brass
Mounting:	Vertical

In Series Connectors



Model Number	Description
DL111850	3 Way Power Distributor (2 Bridges)
DL111860	6 Way Power Distributor (3 Bridges)
DL111861	1m Extension
DL111862	2m Extension
DL833.80.720	Spare Bridges (Pack of 5)
222-412	2 Pole Snap Connector (32A)

DATA SHEET

Recommended LED Drivers *Luminaires are not guaranteed unless operated with LED driver supplied by Display Lighting Ltd*

Model Number	Input Voltage	Output Current	Wattage	Dimming
PCC35004	100V – 240VAC	350mA (2 – 12V)	4W	No
PCC35009TD	220V – 240VAC	350mA (6 – 26V)	9W	Triac
PCC35012	220V – 240VAC	350mA (2 – 34V)	12W	No
PCC35012TD	220V – 240VAC	350mA (12 – 35V)	12W	Triac
PCC35018	220V – 240VAC	350mA (6 – 52V)	18W	No
PCC35018TD	220V – 240VAC	350mA (15 – 52V)	18W	Triac
PCC35020	220V – 240VAC	350mA (2 – 58V)	20W	No
L05011i2	180V – 240VAC	150mA - 1200mA (6 – 42V) <i>(selectable by dip switches)</i>	20W	1 – 10V
LCM25	180V – 277VAC	350mA – 1050mA (6 – 54V) <i>(selectable by dip switches)</i>	25W	1 – 10V
LCM40	180V – 295VAC	350mA - 1050mA (6 – 42V) <i>(selectable by dip switches)</i>	42W	1 – 10V

Constant Current power supplies must be wired in series in accordance with data sheet accompanying the product

Ordering

Example code: **S154.CW.03**

Type	Overall Height	Fixing	Colour Temperature	Finish
S152	100mm – 1050mm	RF	WW Warm White	01 White
S154		FF	NW Neutral White	02 Black
		RFS	CW Cool White	03 Chrome
		HF		04 Polished Brass
		HFB		05 Brushed Chrome

All Spectrum LED luminaires are manufactured and supplied with 1m Tails as standard, other lengths are available to order.



SPECTRUM LED PRO

The original and still the best stalk light made in the UK