

PCV30TD Series

30W Constant Voltage Triac Dimming LED Drivers



Case: 8915FK
134 x 47 x 25 mm

Features

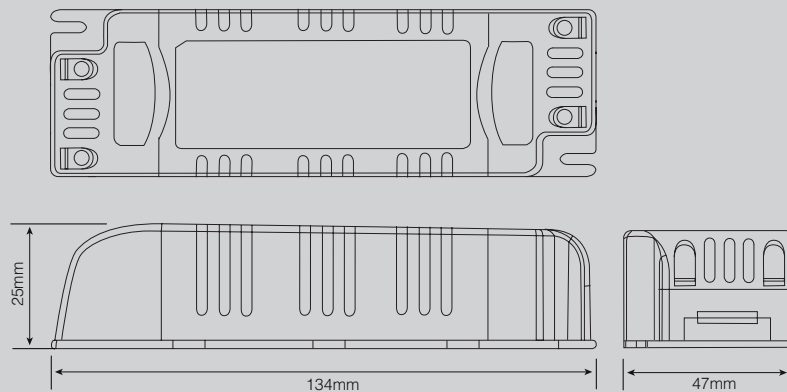
- Constant voltage output
- Fully isolated
- Short circuit, over current and over voltage protection up to 80% efficient
- Fire resistant plastic cover
- Compatible with leading and trailing edge dimmers
- 10 ~ 100% Triac dimmable
- Mains dimmable
- Screw terminals for easy installation
- IP44 design for indoor use
- 2 years warranty



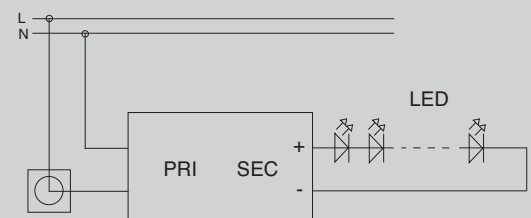
Specification

INPUT	Voltage	180V ~ 240VAC	
	Frequency	50-60 Hz	
	Current	0.2A	
	Power Factor	0.95	
OUTPUT	MODEL No.	PCV1230TD	PCV2430TD
	Load Voltage	12V	24V
	No Load Voltage	12V	24V
	Current	2A	1.2A
	Power	24W	28.8W
	Power Factor	>0.95	
	Ripple & Noise	3V	1V
	Efficiency (TYP.)	>80%	
PROTECTION	Over Load	Auto-recovery	
	Short Circuit	Auto-recovery	
	Over Voltage	Auto-recovery	
ENVIRONMENT	Operating Temperature	-30 ~ +45°C 40°C	
	Storage Temperature	-40 ~ +70°C	
	Relative Humidity	5 ~ 95%	
SAFETY & EMC	Safety Standard	Design refers to EN60598, EN61547, ENV5024, EN61000-4-2, 3, 4, 6, 8, 11, EN61000-3-2, EN61000-3-3	
	EMI Standard	Meets Emissions to EN55022, EN55015 Class B	
OTHERS	Lifetime	50K hrs at TC max	
	Packing	118g	

Mechanical Diagram



LED Configuration



60% ~ 100% load to ensure smooth and stable dimming.